



- ▶ Heavy Duty
- ▶ Severe Duty
- ▶ Narrow Double Post
- ▶ High Capacity
- ▶ Large Capacity
- ▶ Shielded
- ▶ Specialty
- ▶ Accessories

Alemite reels are the standard for quality and durability in the lubrication industry. High attention to detail in material selection, construction and testing ensure that Alemite reels perform well – every time – providing a key component in a safe and efficient operation.

**HEAVY DUTY REELS**

Alemite Heavy Duty Reels set the industry standard for reliable, rugged performance in tough work environments. Engineered for optimum performance and safety, Alemite Heavy Duty Reels are appropriate for a wide range of demanding applications.



**8078 series**

**FEATURES:**

- Superior Performance – Swivel and reel ball bearings reduce torque load on power spring for smooth retraction every time.
- Anti-Lockout Design – Ratchet prevents lockup when hose is fully extended, eliminating the need to manually release the pawl at the reel.
- Corrosion Resistant – Sealed bearings prevent contamination and minimize maintenance, a critical performance factor in dirty environments.
- Easy Installation and Maintenance – Factory lubricated one piece power spring cassette makes installation and maintenance safe and easy.
- Durable – Heavy metal arbor design withstands extreme stress and eliminates breakage associated with non-metal and light weight metal arbors.
- Adjustable and Versatile – 5 position guide arm allows hose to release at an optimum position. Narrow design allows for efficient use of available space.
- Compatibility – Oil, grease, air, water

**Included Items:**

- Hose Reel, Hose, Hose Stop, Union & Connecting Hose

**Oil**

Product #	Bare Reel #	Max Pressure	Delivery Hose Specification	Connecting Hose #	Connecting Hose Inlet	Delivery Hose Outlet	Weight
8078-C	7335-B	1,500 psi	1/2" x 30' (317813-30)	317813-2	1/2" NPTF(m)	1/2" NPTF(m)	56 Lb.
8078-D	7335-B	1,500 psi	1/2" x 50' (317813-50)	317813-2	1/2" NPTF(m)	1/2" NPTF(m)	58 Lb.
7335-B	7335-B	1,500 psi	NA	NA	NA	NA	50 Lb.

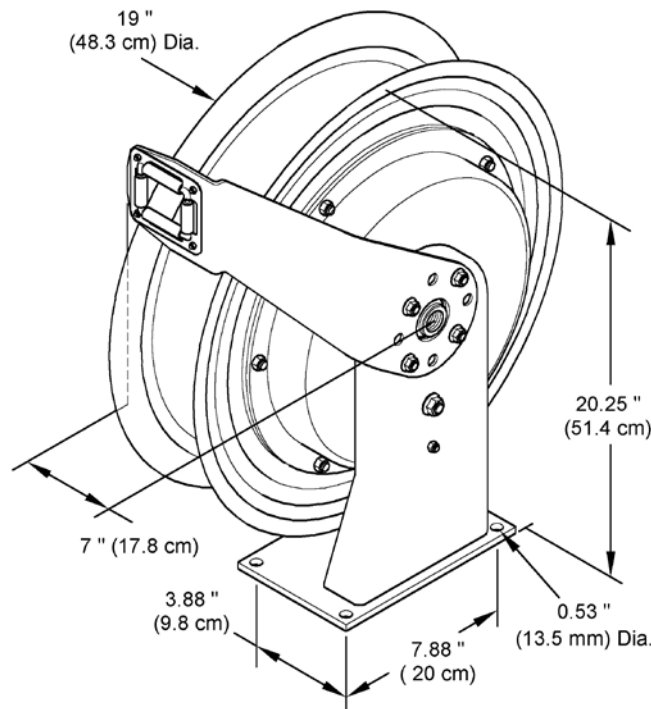
## HEAVY DUTY REELS

### Grease

Product #	Bare Reel #	Max Pressure	Delivery Hose Specification	Connecting Hose #	Connecting Hose Inlet	Delivery Hose Outlet	Weight
8078-A	7334-B	6,400 psi	1/4" x 30' (317874-30)	317876-2	3/8" NPTF(m)	1/4" NPTF(f)	56 Lb.
8078-B	7334-B	6,400 psi	1/4" x 50' (317874-50)	317876-2	3/8" NPTF(m)	1/4" NPTF(f)	59 Lb.
8078-T	7334-B	6,400 psi	3/8" x 50' (317870-50)	317882-2	3/8" NPTF(m)	1/4" NPTF(f)	63 Lb.
7334-B	7334-B	6,400 psi	NA	NA	NA	NA	50 Lb.

### Air/Water

Product #	Bare Reel #	Max Pressure	Delivery Hose Specification	Connecting Hose #	Connecting Hose Inlet	Delivery Hose Outlet	Weight
8078-E	7336-B	200 psi	3/8" x 30' (317803-30)	317811-2	1/2" NPTF(m)	1/4" NPTF(m)	51 Lb.
8078-F	7336-B	200 psi	3/8" x 50' (317803-50)	317811-2	1/2" NPTF(m)	1/4" NPTF(m)	53 Lb.
8078-M	7335-B	200 psi	1/2" x 50' (317811-50)	317811-2	1/2" NPTF(m)	1/2" NPTF(m)	61 Lb.
7336-B	7336-B	200 psi	NA	NA	NA	NA	50 Lb.



## SEVERE DUTY REELS

Tough jobs require tough equipment. Alemite Severe Duty Reels are designed to deliver maximum strength and durability in harsh working conditions. The thicker, fully welded base plate provides solid stability for mobile applications, and weather resistant gaskets and O-rings protect internal components from corrosion.



**8078 series**

**FEATURES:**

- Superior Performance – Swivel and reel ball bearings reduce torque load on power spring for smooth retraction every time.
- Anti-Lockout Design – Ratchet prevents lockup when hose is fully extended, eliminating the need to manually release the pawl at the reel.
- Corrosion Resistant – Sealed bearings and weather resistant sealing components prevent contamination and minimize maintenance, a critical performance factor in dirty environments.
- Easy Installation and Maintenance – Factory lubricated one piece power spring cassette makes installation and maintenance safe and easy.
- Durable – Heavy metal arbor design withstands extreme stress and eliminates breakage associated with non-metal and light weight metal arbors. Thicker, fully welded base plate ensures off road stability.
- Adjustable and Versatile – 5 position guide arm allows hose to release at an optimum position. Narrow design allows for efficient use of available space.
- Compatibility – Oil, grease, air, water, fuel

**Included Items:**

- Hose Reel, Hose, Hose Stop, Union & Connecting Hose

### Oil

Product #	Bare Reel #	Max Pressure	Delivery Hose Specification	Connecting Hose #	Connecting Hose Inlet	Delivery Hose Outlet	Weight
8078-P	7335-C	1,500 psi	1/2" x 30' (317813-30)	317813-2	1/2" NPTF(m)	1/2" NPTF(m)	58 Lb.
8078-H	7335-C	1,500 psi	1/2" x 50' (317813-50)	317813-2	1/2" NPTF(m)	1/2" NPTF(m)	60 Lb.
7335-C	7335-C	1,500 psi	NA	NA	NA	NA	50 Lb.

### Grease

Product #	Bare Reel #	Max Pressure	Delivery Hose Specification	Connecting Hose #	Connecting Hose Inlet	Delivery Hose Outlet	Weight
8078-N	7334-C	6,000 psi	1/4" x 30' (317874-30)	317876-2	3/8" NPTF(m)	1/4" NPTF(f)	58 Lb.
8078-G	7334-C	6,000 psi	1/4" x 50' (317874-50)	317876-2	3/8" NPTF(m)	1/4" NPTF(f)	61 Lb.
7334-C	7334-C	6,000 psi	NA	NA	NA	NA	50 Lb.

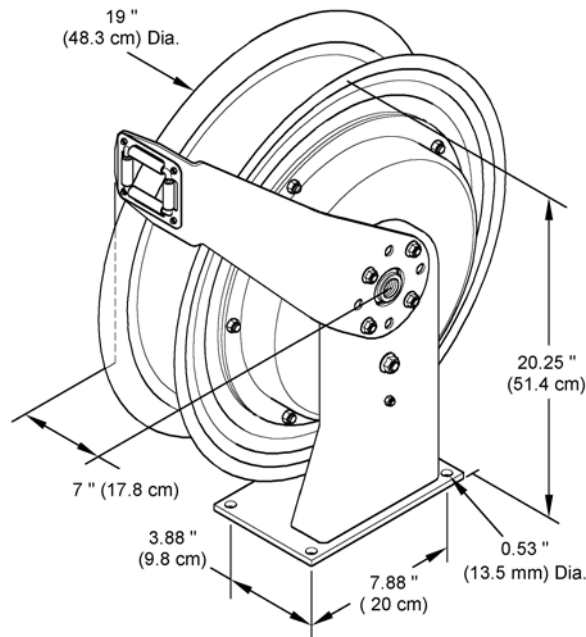
## SEVERE DUTY REELS

### Air/Water

Product #	Bare Reel #	Max Pressure	Delivery Hose Specification	Connecting Hose #	Connecting Hose Inlet	Delivery Hose Outlet	Weight	Air Coupler	Air Adapter
8078-R	7336-C	200 psi	3/8" x 30' (317803-30)	317811-2	1/2" NPTF(m)	1/4" NPTF(m)	53 Lb.	328030	328034
8078-J	7336-C	200 psi	3/8" x 50' (317803-50)	317811-2	1/2" NPTF(m)	1/4" NPTF(m)	55 Lb.	328030	328034
7336-C	7336-C	200 psi	NA	NA	NA	NA	43.8 Lb.	NA	NA

### Fuel

Product #	Bare Reel #	Max Pressure	Delivery Hose Specification	Connecting Hose #	Connecting Hose Inlet	Delivery Hose Outlet	Weight
8078-K	7337-C	300 psi	3/4" x 30' (317868-30)	317868-2	3/4" NPTF(m)	3/4" MPTF(m)	71 Lb.
7337-C	7337-C	300 psi	NA	NA	NA	NA	52.8 Lb.



## NARROW DOUBLE POST REELS

Alemite Narrow Double Post Reels provide the rugged, reliable performance of an Alemite Reel, with a narrower design to fully optimize space efficiency. The dual arm design provides increased strength and stability in demanding off road applications.



**8081 Series**

**FEATURES:**

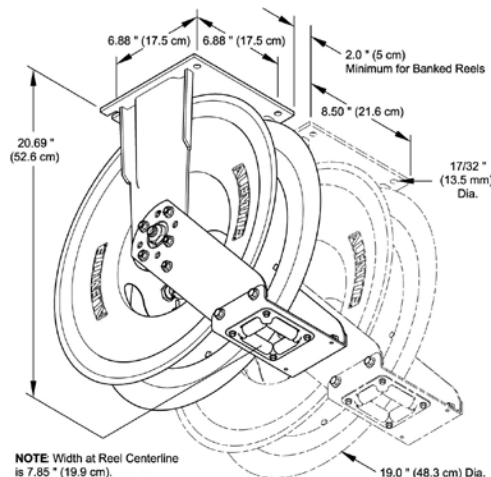
- **Narrow Design** – 8.5” wide, for better space utilization.
- **Superior Performance** – Swivel and reel ball bearings reduce torque load on power spring for smooth retraction every time.
- **Anti-Lockout Design** – Ratchet prevents lockup when hose is fully extended, eliminating the need to manually release the pawl at the reel.
- **Corrosion Resistant** – Sealed bearings prevent contamination and minimize maintenance, a critical performance factor in dirty environments.
- **Easy Installation and Maintenance** – Factory lubricated one piece power spring cassette makes installation and maintenance safe and easy.
- **Durable** – Heavy metal arbor and dual arm design withstand extreme stress and eliminate breakage associated with non-metal and light weight metal arbors.
- **Adjustable and Versatile** – 5 position guide arm allows hose to release at an optimum position. Narrow design allows for efficient use of available space.
- **Compatibility** – Oil, grease, air, water, fuel, hydraulic fluid

**Included Items:**

- Hose Reel, Hose, Hose Stop, Union & Connecting Hose

### Oil

Product #	Bare Reel #	Max Pressure	Delivery Hose Specification	Reel Inlet	Delivery Hose Outlet	Weight
8081-C	7371	1,800 psi	1/2" x 40' (317813-40)	1/2" NPSM(m)	1/2" NPTF(m)	71 Lb.
8081-D	7371	1,800 psi	1/2" x 50' (317813-50)	1/2" NPSM(m)	1/2" NPTF(m)	74 Lb.
7371	7371	1,800 psi	NA	1/2" NPSM(m)	NA	57.2 Lb.



**NARROW DOUBLE POST REELS****Grease**

Product #	Bare Reel #	Max Pressure	Delivery Hose Specification	Reel Inlet	Delivery Hose Outlet	Weight
8081-A	7370	6,500 psi	1/4" x 30' (317874-30)	3/8" NPSM(m)	1/4" NPTF(f)	71 Lb.
8081-B	7370	6,500 psi	1/4" x 50' (317874-50)	3/8" NPSM(m)	1/4" NPTF(f)	72 Lb.
8081-J	7370	4,000 psi	3/8" x 50' (317870-50)	3/8" NPTF(m)	1/4" NPTF(f)	72 Lb.
7370	7370	6,500 psi	NA	3/8" NPTF(m)	NA	58.4 Lb.

**Air/Water**

Product #	Bare Reel #	Max Pressure	Delivery Hose Specification	Reel Inlet	Delivery Hose Outlet	Weight
8081-E	7372	200 psi	3/8" x 40' (317803-40)	1/2" NPSM(m)	1/4" NPTF(m)	62 Lb.
8081-F	7372	200 psi	3/8" x 50' (317803-50)	1/2" NPSM(m)	1/4" NPTF(m)	64 Lb.
8081-G	7371	200 psi	1/2" x 50' (317811-50)	1/2" NPSM(m)	1/4" NPTF(m)	68.6 Lb.
7372	7372	200 psi	NA	1/2" NPSM(m)	NA	55 Lb.

**Fuel**

Product #	Bare Reel #	Max Pressure	Delivery Hose Specification	Reel Inlet	Delivery Hose Outlet	Weight
8081-K	7373	200 psi	3/4" x 30' (317868-30)	3/4" NPSM(m)	3/4" NPTF(m)	75 Lb.
7373	7373	200 psi	NA	3/4" NPSM(m)	NA	61 Lb.

## HIGH CAPACITY REELS

Alemite High Capacity Reels offer high volume delivery in the most extreme outdoor conditions. The high capacity flow passage reduces fill rate time, improving efficiency and helping reduce cost.



**8080-B**

### FEATURES:

- Superior Performance – Swivel and reel ball bearings reduce torque load on power spring for smooth retraction every time.
- Anti-Lockout Design – Ratchet prevents lockup when hose is fully extended, eliminating the need to manually release the pawl at the reel.
- Corrosion Resistant – Sealed bearings prevent contamination and minimize maintenance, a critical performance factor in dirty environments. Sealed rollers eliminate contamination which can bind hose guide rollers.
- Easy Installation and Maintenance – Factory lubricated one piece power spring cassette makes installation and maintenance safe and easy. Outlet port swivel nut makes installing delivery hose quick and easy.
- Strong and Stable – Double arm design provides extra support for a larger hose during use. Four corner bolt hole pattern on outside of base provides extra stability.
- Compatibility – Oil, air, water, fuel

### Included Items:

- Hose Reel, Delivery Hose and Hose Stop

## Oil

Product #	Bare Reel #	Max Pressure	Delivery Hose Specification	Reel Inlet	Delivery Hose Outlet	Weight
8080-B	7341	1,500 psi	1/2" x 80' (317813-80)	1/2" NPTF(f)	1/2" NPTF(m)	146 Lb.
8080-H	7341	1,500 psi	1/2" x 100' (317813-100)	1/2" NPTF(f)	1/2" NPTF(m)	150 Lb.
7341	7341	1,500 psi	NA	1/2" NPTF(f)	1/2" NPTF(m)	124 Lb.

## Grease

Product #	Bare Reel #	Max Pressure	Delivery Hose Specification	Reel Inlet	Delivery Hose Outlet	Weight
8080-A	7340	6,000 psi	3/8" x 80' (317870-80)	3/8" NPTF(m)	1/4" NPTF(f)	150 Lb.
7340	7340	6,000 psi	NA	3/8" NPTF(m)	1/4" NPTF(f)	123 Lb.



## HIGH CAPACITY REELS

### Air/Water

Product #	Bare Reel #	Max Pressure	Delivery Hose Specification	Reel Inlet	Delivery Hose Outlet	Weight
8080-C	7341	300 psi	1/2" x 80' (317811-80)	1/2" NPTF(f)	1/2" NPTF(m)	115 Lb.
8080-D	7341	300 psi	1/2" x 100' (317811-100)	1/2" NPTF(f)	1/2" NPTF(m)	125 Lb.

### Fuel

Product #	Bare Reel #	Max Pressure	Delivery Hose Specification	Reel Inlet	Delivery Hose Outlet	Weight
8080-E	7342	1,000 psi	3/4" x 50' (317868-50)	1" NPTF(f)	3/4" NPTF(f)	145 Lb.
8080-F	7342	1,000 psi	3/4" x 70' (317868-70)	1" NPTF(f)	3/4" NPTF(f)	155 Lb.
8080-G	7342	1,000 psi	1" x 50' (317869-50)	1" NPTF(f)	1" NPTF(f)	165 Lb.
8080-J	7342	150 psi	1" x 50' (339634-50)	1" NPTF(f)	1" NPTF(f)	165 Lb.
7342	7342	1,000 psi	NA	1" NPTF(f)	NA	119 Lb.

### Oil/Air/Water/Fuel - 1.25"

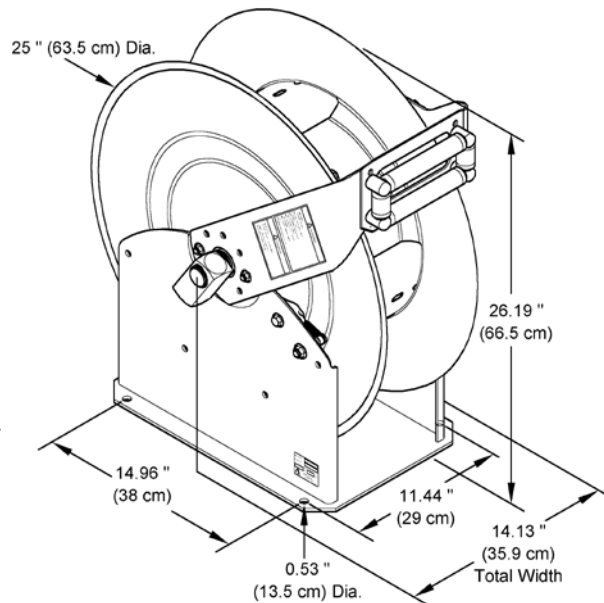
Product #	Bare Reel #	Max Pressure	Reel Inlet	Delivery Hose Outlet	Weight
7345	7345	300 psi	1 1/2" NPTF(f)	1 1/4" NPTF(f)	125 Lb.

### Oil/Air/Water/Fuel - 1.5"

Product #	Bare Reel #	Max Pressure	Reel Inlet	Delivery Hose Outlet	Weight
7346	7346	300 psi	1 1/2" NPTF(f)	1 1/2" NPTF(f)	125 Lb.



**7345**



## SHIELDED REELS

Alemite Shielded Reels are ideal for when your workplace is in view of customers and a clean appearance is expected. These reels offer looks and performance to meet the needs of your shop. Placed together in a bank, Alemite Shielded Reels feature a track system for easy installation.



**8079-A**

**FEATURES:**

- Stain and impact resistant ABS polymer side panels
- Attractive casing for enhanced professional look
- Track system for quick and easy installation
- Roller guides attached to the hose reel for convenient servicing
- Compatibility – Oil, grease, air, water

### Oil

Product #	Bare Reel #	Max Pressure	Delivery Hose Specification	Connecting Hose #	Connecting Hose Inlet	Delivery Hose Outlet	Weight
8079-C	7335-D	1,500 psi	1/2" x 30' (317813-30)	317813-2	1/2"(m)	1/2"(m)	73 Lb.
8079-D	7335-D	1,500 psi	1/2" x 50' (317813-50)	317813-2	1/2"(m)	1/2"(m)	75 Lb.
7335-D	7335-D	1,500 psi	NA	NA	NA	NA	50 Lb.

### Grease

Product #	Bare Reel #	Max Pressure	Delivery Hose Specification	Connecting Hose #	Connecting Hose Inlet	Delivery Hose Outlet	Weight
8079-A	7334-D	6,000 psi	1/4" x 30' (317874-30)	317876-2	3/8"(m)	1/4"(f)	73 Lb.
8079-B	7334-D	6,000 psi	1/4" x 50' (317874-50)	317876-2	3/8"(m)	1/4"(f)	76 Lb.
7334-D	7334-D	6,000 psi	NA	NA	NA	NA	50 Lb.

## SHIELDED REELS

### Air/Water

Product #	Bare Reel #	Max Pressure	Delivery Hose Specification	Connecting Hose #	Connecting Hose Inlet	Delivery Hose Outlet	Weight
8079-E	7336-D	300 psi	3/8" x 30' (317803-30)	317811-2	3/8"(m)	1/4"(f)	68 Lb.
8079-F	7336-D	300 psi	3/8" x 50' (317803-50)	317811-2	3/8"(m)	1/4"(f)	70 Lb.
7336-D	7336-D	300 psi	NA	NA	NA	NA	50 Lb.

### Cabinets

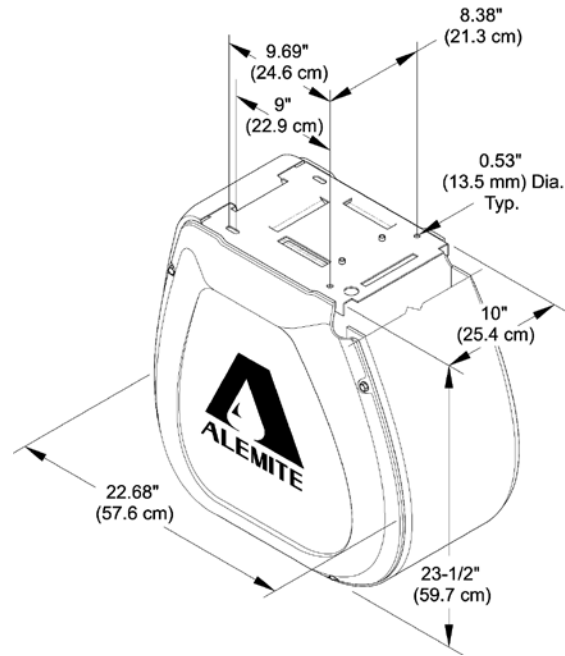
Product #	Description	Weight
7331	Cabinet Kit for 1 cabinet hose reel	10.5 Lb.
339371	End panels for 1 bank of cabinet hose reels	5.4 Lb.
339368	Strut for single reel installation	0.5 Lb.



**7331**



**339371**



## SPECIALTY REELS

Alemite offers a selection of specialty reels to deliver expected high quality Alemite performance into your specific application.

### Oxygen/Acetylene

Alemite Oxygen/Acetylene Reels are designed to safely handle volatile elements and to improve the safety of your welding or cutting operation with efficient, neat handling and storage of loose hose.



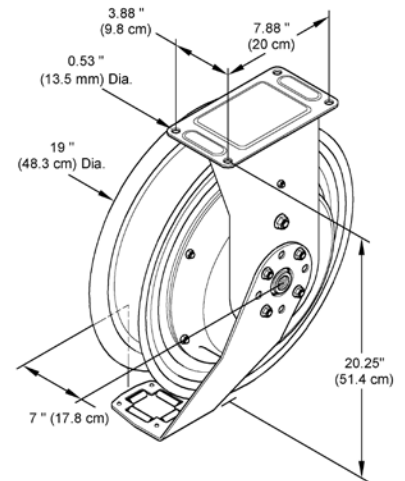
**8071-A**

#### FEATURES:

- Superior Performance – Swivel and reel ball bearings reduce torque load on power spring for smooth retraction every time.
- Anti-Lockout Design – Ratchet prevents lockup when hose is fully extended, eliminating the need to manually release the pawl at the reel.
- Corrosion Resistant – Sealed bearings prevent contamination and minimize maintenance, a critical performance factor in dirty environments.
- Easy Installation and Maintenance – Factory lubricated one piece power spring cassette makes installation and maintenance safe and easy.
- Durable – Heavy metal arbor design withstands extreme stress and eliminates breakage associated with non-metal and light weight metal arbors.
- Adjustable and Versatile – 5 position guide arm allows hose to release at an optimum position. Narrow design allows for efficient use of available space.
- Compatibility – Oxygen/Acetylene only.
- UL listed.

### Oil

Product #	Bare Reel #	Delivery Hose Spec	Oxy and Ace Inlets	Delivery Hose Connections	Weight
8071-A	7338-B	1/4" x 30' (339539-30)	1/4" NPTF(f)	9/16-18"(f)	54 Lb.
8071-B	7338-B	1/4" x 50' (339539-50)	1/4" NPTF(f)	9/16-18"(f)	56 Lb.
7338-B	7338-B	NA	1/4" NPTF(f)	9/16-18"(f)	44 Lb.
8071-D	7338-C	1/4" x 50' (339539-50)	1/4" NPTF(f)	9/16-18"(f)	57 Lb.
7338-C	7338-C	NA	1/4" NPTF(f)	9/16-18"(f)	50 Lb.



## SPECIALTY REELS

### Light and Electric Cord Reels

Alemite Light and Electric Cord reels keep your cords within reach, but safely out of the way, to improve safety, convenience and productivity.



Product #	Cord Size	Cord Length	Volts	Amperes	Outlet	Weight
7260	12 gauge	45'	115V	20 amp	Duplex with GFCI	30 Lb.
7261	10 gauge	50'	115V	35 amp	RV Plug	47 Lb.

### Air/Water - Compact Reels



**FEATURES:**

- 52' of 5/16" diameter polyurethane delivery hose
- Spring-driven retractable hose
- Mounting bracket pivots for ease of use
- Includes hose stop, inlet and outlet hose, and low pressure swivel assembly
- Compatibility – Water, washer fluids, antifreeze

Product #	Inside Diameter	Max Pressure	Length	Thread Size Inlet/Outlet	Reel Port Inlet Swivel/Outlet	Temperature Range
8051-1	5/16"	218 psi	52'	1/4" NPT(f) / 1/4" NPT(m)	3/8" NPT(f) / 1/4" NPT(m)	23°F to 104°F

### Hand Crank Reels

Alemite Hand Crank Reels are designed for heavy duty industrial or out door use, where long hose lengths are important.



**FEATURES:**

- Adjustable spool rotation drag eliminates hose backlash
- Permanently lubricated dual main bearings
- Full flow shaft and ball bearing swivel
- Lock pin to prevent spool rotation when not in use
- Nickel plated swivel with Viton® O-ring seals
- Unitized spool construction, with steel drum
- Vibration proof self locking fasteners ensure assembly integrity
- Temperature operating range (-20°F to 250°F, -29°C to 121°C)
- Easily convertible to power drive – motor mounting at either end of reel
- Compatibility – Oil, water, other fluids

Product #	Max Pressure	Max Hose Capacity	Reel Inlet	Reel Outlet	Weight
7350	1,000 psi	1/2" x 100'	1/2" NPT(f)	1/2" NPT(f)	12 Lb.

**7350**

## HOSE REEL HOSE STOPS

Product #	Hose ID	Weight
337437	.318" to .846"	0.2 Lb.
339538	.530" (twin line)	0.3 Lb.
339389	1.06" to 1.30"	0.3 Lb.
339389-1	1.39" to 1.55"	0.8 Lb.
339389-2	1.06" to 1.38" (fuel hose)	0.8 Lb.

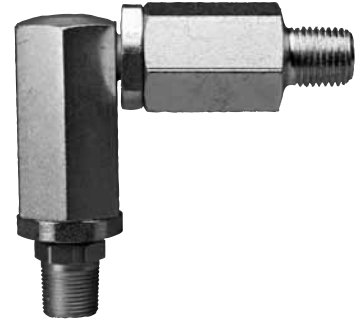


**337437**

## SWIVELS

### Grease

Product #	Thread	Configuration	PSI Rating	Weight
B52750	1/4" NPTF x 1/2"-27	Straight	10,000 psi	0.3 Lb.
B52751	1/4" NPTF x 1/2"-27	90°	10,000 psi	0.6 Lb.
B52752	1/4" NPTF x 1/2"-27	Z-Type	10,000 psi	1 Lb.
54730	1/8" NPTF x 1/8" NPTF	Straight	10,000 psi	0.3 Lb.
54732	1/8" NPTF x 1/8" NPTF	Z-Type	10,000 psi	0.9 Lb.
B321320	1/4" NPTF x 1/4" NPTF	Straight	10,000 psi	0.3 Lb.
B331107	1/4" NPTF x 1/4" NPTF	Z-Type	10,000 psi	1 Lb.



**B52751**

### Oil

Product #	Thread	Configuration	PSI Rating	Weight
332912	1/2" NPTF x 1/2" NPTF	Straight	7,000 psi	0.6 Lb.



**B321320**



**B331107**



Oil Hoses

Product #	Length	Coupling Specification	Hose ID	Working Pressure	Burst Pressure	Weight
317813-2	2'	1/2" NPTF(m) x 1/2" NPTF(m)	1/2"	2,000 psi	8,000 psi	1 Lb.
317813-5	5'	1/2" NPTF(m) x 1/2" NPTF(m)	1/2"	2,000 psi	8,000 psi	1.9 Lb.
317813-5F	5 1/2'	1/2" NPTF(m) x 1/2" NPTF(m)	1/2"	2,000 psi	8,000 psi	1.9 Lb.
317813-7	7'	1/2" NPTF(m) x 1/2" NPTF(m)	1/2"	2,000 psi	8,000 psi	2.4 Lb.
317813-12	12'	1/2" NPTF(m) x 1/2" NPTF(m)	1/2"	2,000 psi	8,000 psi	3.2 Lb.
317813-15	15'	1/2" NPTF(m) x 1/2" NPTF(m)	1/2"	2,000 psi	8,000 psi	4.7 Lb.
317813-25	25'	1/2" NPTF(m) x 1/2" NPTF(m)	1/2"	2,000 psi	8,000 psi	7.4 Lb.
317813-50	50'	1/2" NPTF(m) x 1/2" NPTF(m)	1/2"	2,000 psi	8,000 psi	14.4 Lb.
339684-15	15'	1/2" NPTF(m) x 1/2" NPTF(m)	1/2"	2,000 psi	8,000 psi	5 Lb.
339684-18	18'	1/2" NPTF(m) x 1/2" NPTF(m)	1/2"	2,000 psi	8,000 psi	5.2 Lb.

Grease Hoses

Product #	Length	Coupling Specification	Hose ID	Working Pressure	Burst Pressure	Weight
317870-50	50'	3/8" NPTF(m) x 1/4" NPTF(f)	3/8"	6,400 psi	16,000 psi	9.3 Lb.
317870-70	70'	3/8" NPTF(m) x 1/4" NPTF(f)	3/8"	6,400 psi	16,000 psi	13 Lb.
317870-80	80'	3/8" NPTF(m) x 1/4" NPTF(f)	3/8"	6,400 psi	16,000 psi	26.3 Lb.
317874-30	30'	3/8" NPTF(m) x 1/4" NPTF(f)	1/4"	8,000 psi	20,000 psi	7 Lb.
317874-50	50'	3/8" NPTF(m) x 1/4" NPTF(f)	1/4"	8,000 psi	20,000 psi	12 Lb.
317875-1F	1 1/2'	1/2"-27 NS Taper(f) x 1/2"-27 NS Taper(f)	1/4"	8,000 psi	20,000 psi	0.6 Lb.
317875-7	7'	1/2"-27 NS Taper(f) x 1/2"-27 NS Taper(f)	1/4"	8,000 psi	20,000 psi	2 Lb.
317875-10	10'	1/2"-27 NS Taper(f) x 1/2"-27 NS Taper(f)	1/4"	8,000 psi	20,000 psi	2.6 Lb.
317875-14	14'	1/2"-27 NS Taper(f) x 1/2"-27 NS Taper(f)	1/4"	8,000 psi	20,000 psi	3.8 Lb.
317875-20	20'	1/2"-27 NS Taper(f) x 1/2"-27 NS Taper(f)	1/4"	8,000 psi	20,000 psi	5.4 Lb.
317875-25	25'	1/2"-27 NS Taper(f) x 1/2"-27 NS Taper(f)	1/4"	8,000 psi	20,000 psi	6.5 Lb.
317875-30	30'	1/2"-27 NS Taper(f) x 1/2"-27 NS Taper(f)	1/4"	8,000 psi	20,000 psi	8 Lb.
317875-40	40'	1/2"-27 NS Taper(f) x 1/2"-27 NS Taper(f)	1/4"	8,000 psi	20,000 psi	9.8 Lb.
317875-50	50'	1/2"-27 NS Taper(f) x 1/2"-27 NS Taper(f)	1/4"	8,000 psi	20,000 psi	13.2 Lb.
317876-5	5'	3/8" NPTF(m) x 3/8" NPTR(m)	1/4"	8,000 psi	20,000 psi	3 Lb.
317878-50	50'	1/2"-27 NS Taper(f) x 1/2"-27 NS Taper(f)	3/8"	8,000 psi	20,000 psi	18 Lb.
317882-7	7'	3/8" NPTF(m) x 3/8" NPTR(m)	3/8"	8,000 psi	20,000 psi	2.9 Lb.

## Air/Water Hoses

Product #	Length	Coupling Specification	Hose ID	Working Pressure	Burst Pressure	Weight
317803-3	3'	1/4" NPTF(m) x 1/4" NPTF(m)	3/8"	200 psi	800 psi	0.7 Lb.
317803-7	7'	1/4" NPTF(m) x 1/4" NPTF(m)	3/8"	200 psi	800 psi	1 Lb.
317803-25	25'	1/4" NPTF(m) x 1/4" NPTF(m)	3/8"	200 psi	800 psi	3.2 Lb.
317803-30	30'	1/4" NPTF(m) x 1/4" NPTF(m)	3/8"	200 psi	800 psi	4.1 Lb.
317803-40	40'	1/4" NPTF(m) x 1/4" NPTF(m)	3/8"	200 psi	800 psi	5.4 Lb.
317803-50	50'	1/4" NPTF(m) x 1/4" NPTF(m)	3/8"	200 psi	800 psi	8.9 Lb.
317807-5F	5 1/2'	3/8" NPTF(m) x 1/4" NPTF(m)	1/2"	200 psi	800 psi	1.6 Lb.
317809-5F	5 1/2'	1/2" NPTF(m) x 1/4" NPTF(f)	1/2"	200 psi	800 psi	1.6 Lb.
317811-5	5'	1/2" NPTF(m) x 1/2" NPTF(m)	1/2"	200 psi	800 psi	1.3 Lb.
317811-15	15'	1/2" NPTF(m) x 1/2" NPTF(m)	1/2"	200 psi	800 psi	4.3 Lb.
317811-50	50'	1/2" NPTF(m) x 1/2" NPTF(m)	1/2"	200 psi	800 psi	10 Lb.
317811-80	80'	1/2" NPTF(m) x 1/2" NPTF(m)	1/2"	200 psi	800 psi	20.4 Lb.

## Fuel Hoses

Product #	Length	Coupling Specification	Hose ID	Working Pressure	Burst Pressure	Weight
317869-50	70'	1" NPTF(m) x 1" NPTF(m)	1"	1,000 psi	4,000 psi	32.6 Lb.

## Welding Hoses

Product #	Length	Coupling Specification	Hose ID	Working Pressure
339539-50	50'	9/16"-18(f)	1/4" Twin	200 psi



## LARGE CAPACITY REEL - 8110 SERIES



Shown with Optional Bevel Crank

Made in USA

**FEATURES:**

- Meets or Exceeds Military Vibration for Truck Transport test – MIL-STD-810F 500,000 mile equivalent.
- Long Service Life – The spool axle is supported by independent self-aligning bearing.
- Ultimate Corrosion Resistance – Individually powder coated components insure maximum coverage resistance to corrosion. Stainless steel fasteners are standard.

**Power/Manual Rewind Hose Reels**

1" Fluid Path for 1/2" through 1" I.D. Hose

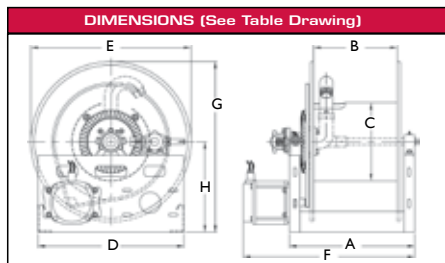
**REWIND:** 1/2" pitch chain and sprocket drive powered by A.C. or D.C. electric motor.

**INLET:** 1" female NPT 90° swivel joint.

**GOOSENECK:** 1" female NPT outlet.

ADD 12" to E dimension when crank is in rewind position.

Standard seals, maximum temperature 174° F (79° C) and minimum temperature -20° F (-29° C).



HOSE I.D.	in	1/2	3/4	1	HOSE CAPACITY AND REEL DIMENSIONS											
HOSE O.D.	in	7/8	1 9/32	1 9/16												
	mm	22	33	40												
MODEL	HOSE LENGTH				EST. WEIGHT		A	B	C	D	E CRK	E ELC	F CRK	F ELC	G	H
8110-1916	ft m	200 61	100 30	50 15	70 LB 31 KG	in mm	21 533	16 406	11 1/4 286	21 533	19 533	19 533	26 660	29 737	22 1/2 572	13 330
8110-2314	ft m	315 96	150 46	100 30	74 LB 34 KG	in mm	20 508	14 356	11 1/4 286	21 533	23 584	23 584	24 610	27 686	24 1/2 622	13 330
8110-2318	ft m	485 148	240 73	150 46	78 LB 35 KG	in mm	24 610	18 457	11 1/4 286	21 533	23 584	23 584	28 711	31 787	24 1/2 622	13 330
8110-2324	ft m	625 191	300 91	200 61	84 LB 38 KG	in mm	30 762	24 610	11 1/4 286	21 533	23 584	23 584	34 864	37 940	24 1/2 622	13 330
8110-3116	ft m	900 274	400 122	300 91	80 LB 36 KG	in mm	22 559	16 406	11 1/4 286	24 610	31 787	31 787	26 660	29 737	32 1/2 826	17 432

Series	Head Dia.	Drum Length	Drive Options		Thread Size-Inlet/Outlet	Inlet/Outlet Type	Thread Style	Fluid Path Material	Pressure	Inlet Style	Fluid Path Location/Direction		Color							
8110	19	14	EP	12v DC Explosion Proof Electric Motor	10	1"	FF	Female In	NP	NPT	D	Steel	3K	0-3000	2	90 Degree	1	Left Hand Top Wind	M	Alemite Red
				115v AC Electric Explosion Proof Motor													2	Left Hand Bottom Wind	G	Grey
				24v DC Electric Explosion Proof Motor													3	Right Hand Top Wind	B	Black
				Bevel Crank													4	Right Hand Bottom Wind	W	White
				Air Motor															S	Silver
			H	Hydraulic Motor																

**Part No. Example:**

**8110-1916EP-10FFNPD3K21M**

- 8110 (Series 8110 Hose Reel)
- 19 (19" Head Dia.)
- 16 (16" Drum Length)
- 10 (1" Thread Size)
- NP (NPT Thread Size)
- 3K (0-3000 PSI)
- 1 (Left Hand Top Wind Fluid Path Location/Direction)
- M (Color, Alemite Red)
- EP (12v DC Explosion Proof Electric Motor)
- FF (Female In/Out Thread Type)
- D (Steel Fluid Path)
- 2 (90° Inlet)

**Additional Options Available:**

Hose Guide, Chain Shroud, and Motor Controls

<b>Note:</b> Weights shown in chart are for crank rewind models.	Suffix	Motor	LB/KG
	EP,EA,EJ	Electric	42/19
Add these amounts for power rewind models	A	Air	26/12
	H	Hydraulic	26/12

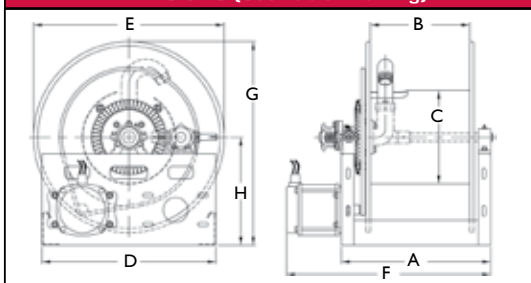
## LARGE CAPACITY REEL - 8120 SERIES



Shown with Optional Bevel Crank

Made in USA

**DIMENSIONS (See Table Drawing)**



**FEATURES:**

- Meets or Exceeds Military Vibration for Truck Transport test – MIL-STD-810F 500,000 mile equivalent.
- Long Service Life – The spool axle is supported by independent self-aligning bearing.
- Ultimate Corrosion Resistance – Individually powder coated components insure maximum coverage resistance to corrosion. Stainless steel fasteners are standard.

**Power/Manual Rewind Hose Reels**

1/2" Fluid Path for 1" through 1 1/2" I.D. Hose

**REWIND:** 1/2" pitch chain and sprocket drive powered by A.C. or D.C. electric motor.

**INLET:** 2" straight victaulic connection with 1/2" female NPT straight swivel joint on all models or 2", 90° victaulic with 1/2" female NPT. Available when specified.

**GOOSENECK:** 1/2" female NPT outlet standard on all models. 1" and 1 1/4" available when specified.

ADD 12" to E dimension when crank is in rewind position.

Standard seals, maximum temperature 174° F (79° C) and minimum temperature -20° F (-29° C).

HOSE I.D.	in	mm	1 25	1 1/4 32	1 3/8 35	1 1/2 38	HOSE CAPACITY AND REEL DIMENSIONS												
HOSE O.D.	in	mm	1 9/16 40	1 13/16 46	2 51	2 1/16 52													
MODEL	HOSE LENGTH				EST. WEIGHT		A	B	C	D	E CRK	E ELC	F CRK	F ELC	G	H			
8120-2512	ft	m	95 29	85 26	55 17	50 15	89 LB 40 KG	in	mm	18 457	12 305	11 1/4 286	21 533	25 635	25 635	22 559	25 635	26 1/2 673	14 356
8120-3112	ft	m	210 64	155 47	115 35	105 32	92 LB 42 KG	in	mm	18 457	12 305	11 1/4 286	24 610	31 787	31 787	22 559	25 635	32 1/2 826	17 432
8120-3116	ft	m	305 93	205 62	155 47	150 46	96 LB 44 KG	in	mm	22 559	16 406	11 1/4 286	24 610	31 787	31 787	26 660	29 737	32 1/2 826	17 432
8120-3120	ft	m	365 111	275 84	200 61	190 58	100 LB 45 KG	in	mm	26 660	20 508	11 1/4 286	24 610	31 787	31 787	30 762	33 838	32 1/2 826	17 432

Series	Head Dia.	Drum Length	Drive Options		Thread Size-Outlet	Outlet Type	Thread Style	Fluid Path Material	Pressure	Inlet Style	Fluid Path Location/Direction		Color								
8120	25	12	EP	12v DC Electric Explosion Proof Motor	10	1"	F	Female In	NP	NPT	A	Aluminum	LP	0-600	1	Straight	1	Left Hand Top Wind	M	Alemite Red	
			EA	115v AC Electric Explosion Proof Motor													12	1 1/4"	2	Left Hand Bottom Wind	G
	31	16	EJ	24v DC Electric Explosion Proof Motor	15	1 1/2"												3	Right Hand Top Wind	B	Black
			BC	Bevel Crank														4	Right Hand Bottom Wind	W	White
			A	Air Motor																S	Silver
			H	Hydraulic Motor																	

**Part No. Example:**  
**8120-2512EP-15FNPALP21M**

- 8120 (Series 8120 Hose Reel)
- 25 (25" Head Dia.)
- 12 (12" Drum Length)
- 15 (1 1/2" Inlet Thread Size)
- NP (NPT Thread Style)
- LP (0-600 PSI)
- 1 (Left Hand Top Wind Fluid Path Location/Direction)
- EP (12v DC Explosion Proof Electric Motor)
- F (Female Outlet Thread Type)
- A (Aluminum Fluid Path)
- 2 (90° Inlet)
- M (Color, Alemite Red)

**2" Victaulic Connection with 1/2" NPT Inlet Standard**

Additional Options Available:  
Hose Guide, Chain Shroud, and Motor Controls

Note:	Suffix	Motor	LB/KG
Weights shown in chart are for crank rewind models.		EP,EA,EJ Electric	42/19
Add these amounts for power rewind models	A	Air	26/12
	H	Hydraulic	26/12

## LARGE CAPACITY REEL - 8130 SERIES



Shown with  
Optional Bevel Crank

Made in USA

### FEATURES:

- Meets or Exceeds Military Vibration for Truck Transport test – MIL-STD-810F 500,000 mile equivalent.
- Long Service Life – The spool axle is supported by independent self-aligning bearing.
- Ultimate Corrosion Resistance – Individually powder coated components insure maximum coverage resistance to corrosion. Stainless steel fasteners are standard.

### Power/Manual Rewind Hose Reels

2" Fluid Path for 1 1/2" - 2" I.D. Hose

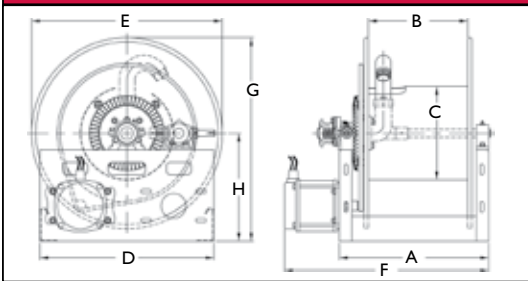
**REWIND:** 1/2" pitch chain and sprocket drive powered by A.C. or D.C. electric motor, compressed air or hydraulic motor.

**INLET:** 2" straight victaulic connection is standard or a 2" male NPT available if specified. 2" victaulic 90° also available when specified.

**GOOSENECK:** 2" female NPT.

Standard seals, maximum temperature 174° F (79° C) and minimum temperature -20° F (-29° C).

### DIMENSIONS (See Table Drawing)



HOSE I.D.	in mm	1 1/2 13	2 51	HOSE CAPACITY AND REEL DIMENSIONS											
HOSE O.D.	in mm	2 1/16 52	2 9/16 65												
MODEL	HOSE LENGTH			EST. WEIGHT		A	B	C	D	E CRK	E ELC	F CRK	F ELC	G	H
8130-2520	ft m	65 20	55 17	124 LB 56 KG	in mm	26 660	20 508	15 381	21 533	25 635	25 635	30 762	33 838	26 1/2 673	14 356
8130-2532	ft m	115 35	90 27	136 LB 62 KG	in mm	38 965	32 813	15 381	21 533	25 635	25 635	42 1067	45 1143	26 1/2 673	14 356
8130-3916	ft m	225 69	140 43	182 LB 83 KG	in mm	22 559	16 406	15 381	24 610	39 991	39 991	26 660	29 737	40 1/2 1029	21 533

Series	Head Dia.	Drum Length	Drive Options		Thread Size-Inlet	Inlet Type	Thread Style	Fluid Path Material	Pressure	Inlet Style	Fluid Path Location/Direction		Color
8130	25	16	EP	12v DC Explosion Proof Elec. Motor	20	2" V Victaulic	NP NPT	A Aluminum	LP 0-600	1 Straight	1 Left Hand Top Wind	M Alemite Red	
	39	20	EA	115v AC Electric Explosion Proof Motor		M Male In				2 90 Degree	2 Left Hand Bottom Wind	G Grey	
		32	EJ	24v DC Electric Explosion Proof Motor							3 Right Hand Top Wind	B Black	
			BC	Bevel Crank							4 Right Hand Bottom Wind	W White	
			A	Air Motor								S Silver	
			H	Hydraulic Motor									

### Part No. Example:

**8130-2520EP-20VNPALP11M**

8130 (Series 8130 Hose Reel)

-25 (25" Head Dia.)

-20 (20" Drum Length)

-20 (2" Thread Size)

NP (NPT Thread Style)

LP (0-600 PSI)

1 (Left Hand Top Wind Fluid Path Location/Direction)

EP (12v DC Expl. Proof Electric Motor)

V (Victaulic Outlet)

A (Aluminum Fluid Path)

1 (Straight Inlet)

M (Color, Alemite Red)

2" female NPT Gooseneck Outlet Standard

Additional Options Available:

Hose Guide, Chain Shroud, and Motor Controls

**Note:** Weights shown in chart are for crank rewind models.

Add these amounts for power rewind models

Suffix	Motor	LB/KG
EP,EA,EJ	Electric	42/19
A	Air	26/12
H	Hydraulic	26/12